

# Low voltage ferrule-style fuses

## gG 8,5x31,5 - 400VAC



Size	Current (A)	Voltage (VDC)	Cat. number w/o indicator	Ref. number w/o indicator	Cat. number with indicator	Ref. number with indicator	Voltage (VDC)	Ref. number with striker	Cat. number with striker	Packaging
8,5 x 31,5	0,5	400	FR8GG40V0.5	P218191J	-					10
8,5 x 31,5	1	400	FR8GG40V1	C218709J	-					10
8,5 x 31,5	2	400	FR8GG40V2	Q219227J	FR8GG40V2I	B222204J				10
8,5 x 31,5	4	400	FR8GG40V4	W222958J	FR8GG40V4I	X222959J				10
8,5 x 31,5	6	400	FR8GG40V6	A211025J	FR8GG40V6I	V201291J				10
8,5 x 31,5	8	400	FR8GG40V8	B213096J	FR8GG40V8I	B211026J				10
8,5 x 31,5	10	400	FR8GG40V10	A214613J	FR8GG40V10I	A212060J				10
8,5 x 31,5	12	400	FR8GG40V12	R216146J	FR8GG40V12I	C213097J				10
8,5 x 31,5	16	400	FR8GG40V16	P216650J	FR8GG40V16I	Y214105J				10
8,5 x 31,5	20	400	FR8GG40V20	F217677J	FR8GG40V20I	J215127J				10
8,5 x 31,5	25	400	FR8GG40V25	D218710J	FR8GG40V25I	S216147J				10
8,5 x 31,5	Neutral		FRN832	X211045J	FRN832	X211045J				10

## gG 10,3 x 38 - 400/500VAC



Size	Current (A)	Voltage (VDC)	Cat. number w/o indicator	Ref. number w/o indicator	Cat. number with indicator	Ref. number with indicator	Voltage (VDC)	Ref. number with striker	Cat. number with striker	Packaging
10,3 x 38	0,5	500	FR10GG50V0.5	C211027J						10
10,3 x 38	1	500	FR10GG50V1	B212061J						10
10,3 x 38	2	500	FR10GG50V2	D213098J	FR10GG50V2I	S216653J	400	FR10GG40V2P	G083703J	10
10,3 x 38	4	500	FR10GG50V4	X213598J	FR10GG50V4I	E217170J	400	FR10GG40V4P	D084758J	10
10,3 x 38	6	500	FR10GG50V6	K215128J	FR10GG50V6I	T218195J	400	FR10GG40V6P	Y084799J	10
10,3 x 38	8	500	FR10GG50V10	D217169J	FR10GG50V8I	V219231J	400	FR10GG40V8P	F083955J	10
10,3 x 38	10	500	FR10GG50V10	S218194J	FR10GG50V10I	E222207J	400	FR10GG40V10P	A084801J	10
10,3 x 38	12	500	FR10GG50V12	W219761J	FR10GG50V12I	H200751J	400	FR10GG40V12P	G083956J	10
10,3 x 38	16	500	FR10GG50V16	G200750J	FR10GG50V16I	H201809J	400	FR10GG40V16P	X084798J	10
10,3 x 38	20	500	FR10GG50V20	D211028J	FR10GG50V20I	X211551J	400	FR10GG40V20P	Z084800J	10
10,3 x 38	25	500	FR10GG50V25	E213099J	FR10GG50V25I	W212585J	250	FR10GG25V25P	H083957J	10
10,3 x 38	32	400	FR10GG40V32	A214107J	FR10GG40V32I	Z213600J	250	FR10GG25V32P	E083954J	10
10,3 x 38	Neutral		FRN1038	R211569J	FRN1038	R211569J				10

## gG 10,3 x 38 - 690VAC +10%



Size	Current (A)	Voltage (VDC)	Cat. number w/o indicator	Ref. number w/o indicator	Cat. number with indicator	Ref. number with indicator	Voltage (VDC)	Ref. number with striker	Cat. number with striker	Packaging
10,3 x 38	1	690	FR10GG69V1	R302787J						10
10,3 x 38	2	690	FR10GG69V2	S302788J						10
10,3 x 38	4	690	FR10GG69V4	T302789J						10
10,3 x 38	6	690	FR10GG69V6	V302790J						10
10,3 x 38	8	690	FR10GG69V8	W302791J						10
10,3 x 38	10	690	FR10GG69V10	X302792J						10
10,3 x 38	12	690	FR10GG69V12	Y302793J						10
10,3 x 38	16	690	FR10GG69V16	Z302794J						10

## gG 14 x 51 - 400 to 690VAC +10%



Size	Current (A)	Voltage (VAC)	Cat. number w/o striker	Ref. number w/o striker	Voltage (VAC)	Cat. number with striker	Ref. number with striker	Packaging
14 x 51	1	690	FR14GG69V1	K218716J				
14 x 51	2	690	FR14GG69V2	Y219234J	500	FR14GG50V2P	J211033J	10
14 x 51	4	690	FR14GG69V4	A219765J	500	FR14GG50V4P	H212067J	10
14 x 51	6	690	FR14GG69V6	H222210J	500	FR14GG50V6P	G214113J	10
14 x 51	8	690	FR14GG69V8	D222965J	500	FR14GG50V8P	R215134J	10
14 x 51	10	690	FR14GG69V10	L200754J	500	FR14GG50V10P	Z216153J	10
14 x 51	12	690	FR14GG69V12	L201812J	500	FR14GG50V12P	L217176J	10
14 x 51	16	690	FR14GG69V16	A211554J	500	FR14GG50V16P	Z218200J	10
14 x 51	20	690	FR14GG69V20	Z212588J	500	FR14GG50V20P	B219237J	10
14 x 51	25	690	FR14GG69V25	C213603J	500	FR14GG50V25P	L222213J	10
14 x 51	32	500	FR14GG50V32	W216656J	500	FR14GG50V32P	P200757J	10
14 x 51	32	690	FR14GG69V32	L1010170J				
14 x 51	40	500	FR14GG50V40	X218198J	500	FR14GG50V40P	P201815J	10
14 x 51	40	690	FR14GG69V40	P1010173J				
14 x 51	50	500	FR14GG50V50	Z219235J	500	FR14GG50V50P	D211557J	10
14 x 51	50	690	FR14GG69V50	Q1010174J				
14 x 51	Neutral		FRN1451	M212600J		FRN1451	M212600J	10
Fuse extractor			PMCP 14	M097554A		PMCP 14	M097554A	1

## gG 22 x 58 - 400 to 690VAC +10%

W/o striker



Blown

With striker



Blown



For Sizes  
10, 14 and 22.

Size	Current (A)	Voltage (VAC)	Cat. number w/o striker	Ref. number w/o striker	Voltage (VAC)	Cat. number with striker	Ref. number with striker	Packaging
22 x 58	2	690	FR22GG69V2	F219241J	690	FR22GG69V2P	N093760J	10
22 x 58	4	690	FR22GG69V4	H219772J	690	FR22GG69V4P	R214628J	10
22 x 58	6	690	FR22GG69V6	P222216J	690	FR22GG69V6P	A215648J	10
22 x 58	8	690	FR22GG69V8	L222972J	690	FR22GG69V8P	F216665J	10
22 x 58	10	690	FR22GG69V10	T200761J	690	FR22GG69V10P	W217691J	10
22 x 58	12	690	FR22GG69V12	J201304J	690	FR22GG69V12P	W218726J	10
22 x 58	16	690	FR22GG69V16	S201818J	690	FR22GG69V16P	L219775J	10
22 x 58	20	690	FR22GG69V20	P211038J	690	FR22GG69V20P	P222975J	10
22 x 58	25	690	FR22GG69V25	N212072J	690	FR22GG69V25P	M201307J	10
22 x 58	32	690	FR22GG69V32	F212594J	690	FR22GG69V32P	S211041J	10
22 x 58	40	690	FR22GG69V40	J213609J	690	FR22GG69V40P	R212075J	10
22 x 58	50	690	FR22GG69V50	P214626J	690	FR22GG69V50P	M213612J	10
					500	FR22GG50V63P	S214629J	10
22 x 58	63	690	FR22GG69V63	Y216646J	690	FR22GG69V63P	T1022160J	10
					500	FR22GG50V80P	F216159J	10
22 x 58	80	690	FR22GG69V80	Q217180J	500	FR22GG69V80P	Z1022165J	10
22 x 58	100	500	FR22GG50V100	E218205J	500	FR22GG50V100P	T217183J	10
22 x 58	125	500	FR22GG50V125	J219773J	500	FR22GG50V125P	H218208J	10
22 x 58	Neutral		FRN2258	R213616J		FRN2258	R213616J	10
Fuse extractor			PMCP20+22	K100036A		PMCP20+22	K100036A	1

### Functions

gG curve industrial fuse (black marking) – NF EN 60269-1 and 2 compliant.  
Protection for power cables and equipment except motors.  
Selective coordination between two fuses two ratings apart (e.g. 160A and 100A).

Breaking capacity: 120 kA for 8.5 x 31.5 fuses - 120kA for other sizes at rated voltage.

### Applications

Protection from overloads and short circuits at all levels in power distribution.  
Mains, branch circuits, service entrance equipment.

# Low voltage ferrule-style fuses

## aM 8,5 x 31,5 - 400VAC

Size	Current (A)	Voltage (VAC)	Cat. number w/o indicator	Ref. number w/o indicator	Cat. number with indicator	Ref. number with indicator	Voltage (VAC)	Cat. number with striker	Ref. number with striker	Packaging
8,5 x 31,5	1	400	FR8AM40V1	C217168J						10
8,5 x 31,5	2	400	FR8AM40V2	R218193J						10
8,5 x 31,5	4	400	FR8AM40V4	S219229J						10
8,5 x 31,5	6	400	FR8AM40V6	C222205J						10
8,5 x 31,5	8	400	FR8AM40V8	F200749J						10
8,5 x 31,5	10	400	FR8AM40V10	W201292J						10
8,5 x 31,5	12	400	FR8AM40V12	V1007188J						10
8,5 x 31,5	Neutral		FRN832	X211045J						10

## aM 10,3 x 38 - 400 to 690VAC +10%

10,3 x 38	0,16	500	FR10AM50V0.16	E214617J	-					10
10,3 x 38	0,25	500	FR10AM50V0.25	M215130J	-					10
10,3 x 38	0,5	500	FR10AM50V0.5	W216150J	-					10
10,3 x 38	1	500	FR10AM50V1	F217171J	FR10AM50V1I	X219233J	400	FR10AM40V1P	Z084984J	10
10,3 x 38	2	500	FR10AM50V2	H218714J	FR10AM50V2I	G222209J	400	FR10AM40V2P	Y085259J	10
10,3 x 38	4	500	FR10AM50V4	W219232J	FR10AM50V4I	K200753J	400	FR10AM40V4P	W085257J	10
10,3 x 38	6	500	FR10AM50V6	F222208J	FR10AM50V6I	K201811J	400	FR10AM40V6P	A084985J	10
10,3 x 38	8	500	FR10AM50V8	Z201295J	FR10AM50V8I	Z211553J	400	FR10AM40V8P	B084986J	10
10,3 x 38	10	500	FR10AM50V10	Y211552J	FR10AM50V10I	H213102J	400	FR10AM40V10P	X085258J	10
10,3 x 38	12	500	FR10AM50V12	A213601J	FR10AM50V12I	D214110J	400	FR10AM40V12P	C084757J	10
10,3 x 38	16	500	FR10AM50V16	F214618J	FR10AM50V16I	P215132J	400	FR10AM40V16P	V085256J	10
10,3 x 38	20	500	FR10AM50V20	X216151J	FR10AM50V20I	V216655J	250	FR10AM40V20P	A076038J	10
10,3 x 38	25	400	FR10AM40V25	G217172J	FR10AM40V25I	L217682J	250	FR10AM40V25P	B076039J	10
10,3 x 38	32	400	FR10AM40V32	J218715J		-				10

NEW

10,3 x 38	1	690	FR10AM69V1	H302779J						10
10,3 x 38	2	690	FR10AM69V2	J302780J						10
10,3 x 38	4	690	FR10AM69V4	K302781J						10
10,3 x 38	6	690	FR10AM69V6	L302782J						10
10,3 x 38	8	690	FR10AM69V8	M302783J						10
10,3 x 38	10	690	FR10AM69V10	N302784J						10
10,3 x 38	12	690	FR10AM69V12	P302785J						10
10,3 x 38	Neutral		FRN1038	R211569J	FRN1038	R211569J				10

## aM 14 x 51 - 400 to 690VAC +10%

14 x 51	0,25	690	FR14AM69V0.25	B212590J		-				10
14 x 51	0,5	690	FR14AM69V0.5	L213105J		-				10
14 x 51	1	690	FR14AM69V1	E213605J			500	FR14AM50V1P	W215644J	10
14 x 51	2	690	FR14AM69V2	H214114J			500	FR14AM50V2P	B216661J	10
14 x 51	4	690	FR14AM69V4	K214622J			500	FR14AM50V4P	C218203J	10
14 x 51	6	690	FR14AM69V6	S215135J			500	FR14AM50V6P	E219240J	10
14 x 51	8	690	FR14AM69V8	T215642J			500	FR14AM50V8P	N222215J	10
14 x 51	10	690	FR14AM69V10	Z216659J			500	FR14AM50V10P	S200760J	10
14 x 51	12	690	FR14AM69V12	M217177J			500	FR14AM50V12P	R201817J	10
14 x 51	16	690	FR14AM69V16	Q217686J			500	FR14AM50V16P	G211560J	10
14 x 51	20	690	FR14AM69V20	P218720J			500	FR14AM50V20P	E212593J	10
14 x 51	25	690	FR14AM69V25	E219769J			500	FR14AM50V25P	H213608J	10
14 x 51	32	500	FR14AM50V32	M222214J			500	FR14AM50V32P	N214625J	10
14 x 51	32	690	FR14AM69V32	G1011477J						
14 x 51	40	500	FR14AM50V40	Q200758J			500	FR14AM50V40P	X215645J	10
14 x 51	40	690	FR14GG69V40	J1011479J						
14 x 51	45	500	FR14AM50V45	L211035J			500	FR14AM50V45P	C216662J	10
14 x 51	50	500	FR14AM50V50	E211558J			500	FR14AM50V50P	D218204J	10
14 x 51	Neutral		FRN1451	M212600J				FRN1451	M212600J	10
Fuse extractor			PMCP 14	M097554A				PMCP 14	M097554A	1

## aM 22 x 58 - 400 to 690VAC +10%

Size	Current (A)	Voltage (VAC)	Cat. number w/o indicator	Ref. number w/o indicator	Cat. number with indicator	Ref. number with indicator	Voltage (VAC)	Cat. number with striker	Ref. number with striker	Packaging
22 x 58	1	690	FR22AM69V1	M219776J			690	FR22AM69V1P	E215652J	10
22 x 58	2	690	FR22AM69V2	T222220J			690	FR22AM69V2P	J216162J	10
22 x 58	4	690	FR22AM69V4	Q222976J			690	FR22AM69V4P	A217695J	10
22 x 58	6	690	FR22AM69V6	Y200765J			690	FR22AM69V6P	Y218728J	10
22 x 58	8	690	FR22AM69V8	N201308J			690	FR22AM69V8P	Q219779J	10
22 x 58	10	690	FR22AM69V10	X201822J			690	FR22AM69V10P	S222978J	10
22 x 58	12	690	FR22AM69V12	T211042J			690	FR22AM69V12P	R201311J	10
22 x 58	16	690	FR22AM69V16	M211565J			690	FR22AM69V16P	W211044J	10
22 x 58	20	690	FR22AM69V20	S212076J			690	FR22AM69V20P	W212079J	10
22 x 58	25	690	FR22AM69V25	J212597J			690	FR22AM69V25P	Q213615J	10
22 x 58	32	690	FR22AM69V32	V213113J			690	FR22AM69V32P	X214633J	10
22 x 58	40	690	FR22AM69V40	N213613J			690	FR22AM69V40P	F215653J	10
22 x 58	50	690	FR22AM69V50	R214122J			690	FR22AM69V50P	K216669J	10
22 x 58	63	690	FR22AM69V63	C215650J			500	FR22AM50V63P	B217696J	10
							690	FR22AM69V63P	A1022166J	
22 x 58	80	690	FR22AM69V80	H216667J			500	FR22AM50V80P	Z218729J	10
22 x 58	100	500	FR22AM50V100	Y217693J			500	FR22AM50V100P	T222979J	10
							690	FR22AM69V80P	C1022168J	
22 x 58	125	500	FR22AM50V125	J218209J			500	FR22AM50V125P	S201312J	10
22 x 58	Neutral		FRN2258	R213616J				FRN2258	R213616J	10
Fuse extractor			PMCP20+22			K100036A		PMCP20+22	K100036A	1

### Functions

aM curve industrial fuse (green marking) – NF EN 60269-1 and 2-1 compliant.  
 Direct protection for electrical motors, must be used in combination with another protection device (thermal relay).  
 Easy selective coordination with upstream gG fuses.  
 Selective coordination between two fuses two ratings apart (i.e. 160A and 100A).  
 Breaking capacity: 20kA for 8.3 x 31.5 fuses - 80 to 120kA for other sizes at rated voltage.

### Applications

Protection for all low voltage electrical motors with direct-on-line start.

W/o striker

With striker



For Sizes 10, 14 and 22.

# Modulostar fuse holder low voltage

## Modulostar CMS8



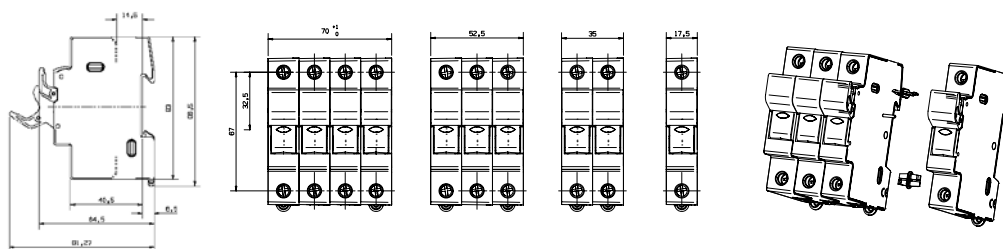
Size	CCD configurations	Cat. number w/o indicator	Ref. number w/o indicator	Cat. number with indicator	Ref. number with indicator	Packaging
8 x 31,5	1	CMS81	X305000K	CMS81I	E305007K	12
8 x 31,5	1+N	CMS81N	Y305001F	CMS81NI	F305008F	6
8 x 31,5	2	CMS82	Z305002F	CMS82I	G305009F	6
8 x 31,5	3	CMS83	A305003D	CMS83I	H305010D	4
8 x 31,5	3+N	CMS83N	B305004C	CMS83NI	J305011C	3
8 x 31,5	4	CMS84	C305005C	CMS84I	K305012C	3
8 x 31,5	N *	CMS810N	D305006K			12

## Modulostar CMS10

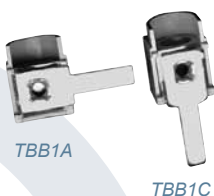


Size	CCD configurations	Cat. number w/o indicator	Ref. number w/o indicator	Cat. number with indicator	Ref. number with indicator	Packaging
10 x 38	1	CMS101	T305020K	CMS101I	A305026K	12
10 x 38	1+N	CMS101N	V305021F	CMS101NI	B305027F	6
10 x 38	2	CMS102	W305022F	CMS102I	C305028F	6
10 x 38	3	CMS103	X305023D	CMS103I	D305029D	4
10 x 38	3+N	CMS103N	Y305024C	CMS103NI	E305030C	3
10 x 38	4	CMS104	Z305025C	CMS104I	F305031C	3

## Drawings for CMS8-10



## Accessories for CMS8, CMS10



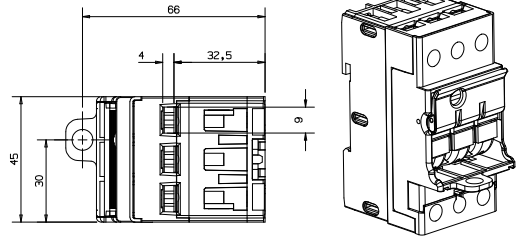
Description	Cat. number	Ref. number	Nb Modules 17.5mm	Voltage max. RMS (A)	Nb of pole	Packaging
Multi-pole assembly kit	CMS810PAK	Z233725K				12
Lock	LOCK	M223525A				1
Locking kit	TAGLOCKCMS810	A235773A				1
Single-phase size 8/10 comb connection	CMS810BB1F13	T210306J	13	63	1	10
2-phase size 8/10 comb connection	CMS810BB2F6	V210307J	6	63	2	10
3-phase size 8/10 comb connection	CMS810BB3F4	W210308J	4	100	3	10
4-phase size 8/10 comb connection	CMS810BB4F3	X210309J	3	100	4	10
Single-pole terminal, side	TBB1C	E210316P		90		50
2/3-pole terminal, side	TBB23C	G210318P		90		50
Single-pole terminal, axial	TBB1A	D210315P		90		50
2/3-pole terminal, axial	TBB23A	F210317P		90		50

# Modulostar CMSFM10

**Compact Fusegear for Motor starter**  
3 pole/45mm

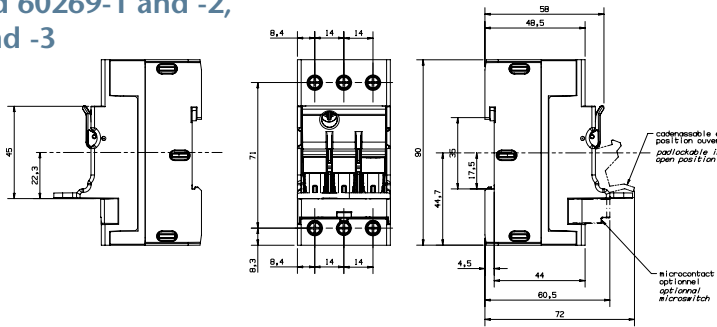


Nb of pole	Cat. number	Ref. number	Fonction Fuse Holder	Fonction Fuse Discon.	Packaging
System	CMSFM10	S302765A	w/o indicator		1
3 poles / 45mm	CMSFM10M	T302766A		w/o indicator	1
	CMSFM10I	W302768A	with indicator		1
	CMSFM10MI	V302767A		with indicator	1



## Drawings for compact fusegear Motor starter

IEC Standard 60269-1 and -2,  
IEC 947-1 and -3



### Accessory

Cat. number	Ref.	Packaging
PLUG3CMSFM	B264041E	5
WBAR2CMSFM	C264042E	5
RDINCCMSFM	D264043A	1
WIRCMSFMC	E264044E	5

## MSC 10 fuse holder Phase + Neutral (1 mod.)

Fuse holder phase+neutral in a 17.5mm - width compact module

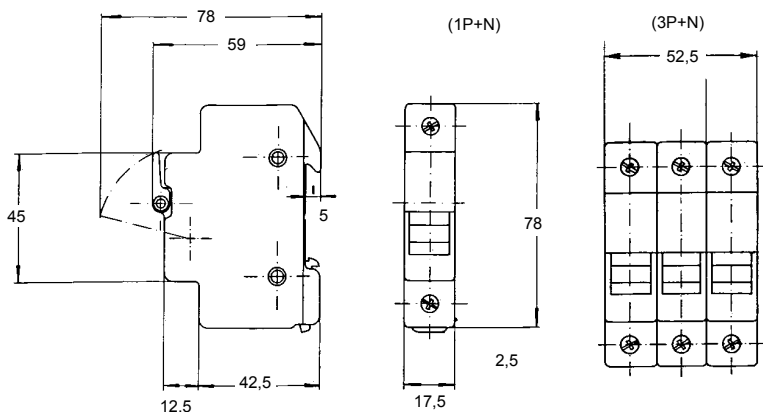
**Compact Fuse Holder**



Nb of pole	Cat. number w/o indicator	Ref. number w/o indicator	Nb Modules	Packaging
1+N	MSC101N1M	Y201317K	1	12
3+N	MSC103N3M	S218217D	3	4

Assembly accessories	Cat. number	Ref. number	Packaging
2-pole pin	MSCMSDMAASS2	G215125J	10*
3-pole pin	MSCMSDMAASS3	Q216145J	10*
4-pole pin	MSCMSDMAASS4	A217166J	10*

\* 10 Pins per bag



- Direct mounting on symmetrical DIN rail
- Indicator light (120/690V)
- Wiring cross sections:
  - single-pole: 1x16mm<sup>2</sup>
  - single-pole + neutral: 1x10mm<sup>2</sup>
- Insulated to IP20 standard
- Single-pole weight
  - 10x38; 63g
  - 10x38 - Ph + N1M; 68g

# Modulostar fuse holder low voltage

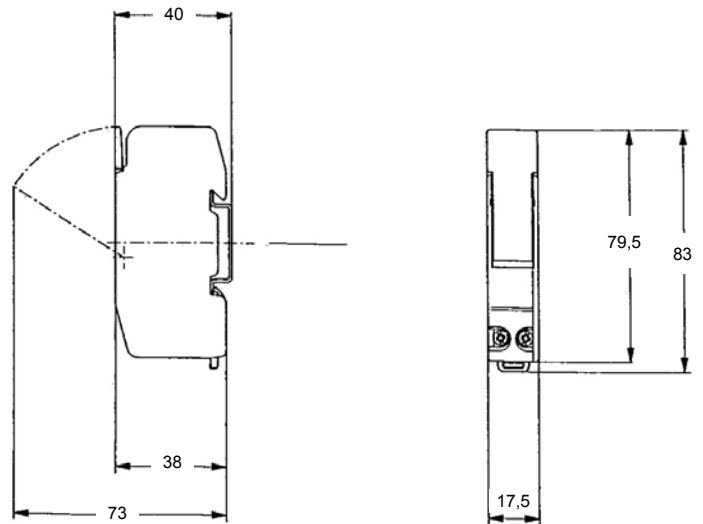
## CCR fuse holder

### Compact Fuse Holder



Size	Nb of poles	Cat. number	Ref. number	Nb of mod.	Packaging	NF Licence
8,5 x 31,5	1	CCR81	C200769K	1	12	•
8,5 x 31,5	1+N	CCR81N	A218730K	1	12	•
8,5 x 31,5	2	CCR82	V233721F	2	6	
8,5 x 31,5	3	CCR83	W233722D	3	4	
10 x 38	N	CCR810N	Z214635K	1	12	•
10 x 38	1	CCR101	N218213K	1	12	•
10 x 38	1+N	CCR1N1M	H215655K	1	12	•
10 x 38	2	CCR102	X233723F	2	6	
10 x 38	3	CCR103	Y233724D	3	4	

- Main application: protection of luminaires in street lighting
- Direct mounting on symmetrical DIN rail  
- Cable cross section: 1x10mm<sup>2</sup>
- Small footprint
- IP20 finger-safe protection
- Weight 1 pole
- Neutral links are systematically pre-mounted
- IEC 60269-1, -2, and -3 (for some models).



## Supports et Fuse holders MSD



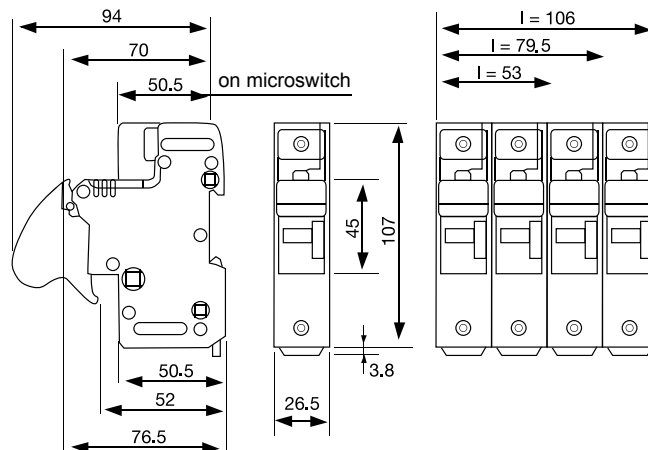
Size	Unipolaire w/o indicator 1 module		Unipolaire with indicator 1 module		Uni + N w/o indicator 1 module		Uni + N with indicator 1 module		Packaging	NF Licence
8,5 x 23	C217674K	MSD8231	A218707K	MSD8231	N219225K	MSD8231N	T222956K	MSD8231NI	12	•
10,3 x 25,8	R201288K	MSD10251	Y211023K	MSD10251I	Q211545K	MSD10251N	Z213094K	MSD10251NI	12	•
8,5 x 31,5	V214102K	MSD8311	F215124K	MSD8311	H215632K	MSD8311N	Z217165K	MSD8311NI	12	•
10,3 x 31,5	N218190K	MSD10311	P219226K	MSD10311	R219757K	MSD10311N	V222957K	MSD10311NI	12	•
10,3 x 38	S201289K	MSD10381	Z211024K	MSD10381	R211546K	MSD10381N	A213095K	MSD10381NI	12	•

Standard IEC 60269-1 and -3

# Modulostar CMS14



Size	CCD configurations	Cat. number w/o indicator	Ref. number w/o indicator	Cat. number with indicator	Ref. number with indicator	Packaging
14 x 51	1	CMS141	A331016F	CMS141I	L331049F	6
14 x 51	1+N	CMS141N	T331010C	CMS141NI	M331050C	3
14 x 51	2	CMS142	R331031C	CMS142I	M331004C	3
14 x 51	3	S331032B	J212091B	CMS143I	K331071B	2
14 x 51	3+N	CMS143N	D331042A	CMS143NI	Q331007A	1
14 x 51	4	CMS144	F331021A			1
14 x 51	N	CMS14N	T331056F			6
14 x 51 for fuses with striker	1			CMS141AC	F331044F	6
14 x 51 with microswitches (+ pre-isolation) (for fuses with striker)	1	CMS141M	Z331038F	CMS141MI	S331055F	6
	1+N	CMS141NM	L331026C	CMS141NMI	Q331030C	6
	2 (2 switches)	CMS142M	A331062C	CMS142MI	X331036C	3
	3	CMS143M	F331067B	CMS143MI	P331006B	2
	3 (2 switches)	CMS143M2	H331069B	CMS143M2I	Y331037B	2
	3+N	CMS143NM	E331043A	CMS143NMI	Y331037A	1



## Accessories CMS14



Description	Cat. number	Ref. number	Nb. modules 17.5mm	Packaging
Single-pole CMS14 auxiliary microswitch kit	CMS14W1	M218741	1.5	1
3-pole CMS14 auxiliary microswitch kit	CMS14W2	J331185A	4.5	1
3-pole CMS14 2 auxiliary microswitch kit	CMS14W3	Z331176A	4.5	1
Auxiliary microswitch assembly pin (between 2 auxiliary microswitch kits)	CMS1422PTH	J214138		10
Enlargement pin for auxiliary microswitches	CMS14BP	F213629		10
Multi-pole assembly kit	CMS1422PAK	Z218223		10
Indicator light kit	CMS14LIH	A225653		1
Lock	CMS14LOK	M223525		1



# Modulostar fuse holder low voltage

## Modulostar CMS22



Size	CCD configurations	Cat. number w/o indicator	Ref. number w/o indicator	Cat. number with indicator	Ref. number with indicator	Packaging
22 x 58	1	CMS221	T331079F	CMS221I	B331086F	6
22 x 58	1+N	CMS221N	H331092C	CMS221NI	W1001462C	3
22 x 58	2	CMS222	Q331122C	CMS222I	D331134C	3
22 x 58	3	CMS223	E331135B	CMS223I	D331134B	2
22 x 58	3+N	CMS223N	A331108A	CMS223NI	N1001455A	1
22 x 58	4	CMS224	Q331099A			1
22 x 58	N	CMS22N	K331094F			6
22 x 58 for fuses with striker	1			CMS22AC	V331103F	6
22 x 58 with microswitches (+ pre-isolation) (for fuses with striker)	1	CMS221M	S331078F	CMS221MI	N331074F	6
	1+N	CMS221NM	W1016642C	CMS221NMI	N1016589C	3
	2 (2 switches)	CMS222M	V331080C	CMS222MI	P331098C	3
	3	CMS223M	B331109B	CMS223MI	E331112B	2
	3 (2 switches)	CMS223M2	C331087B	CMS223M2I	E331112B	2
3+N	CMS223NM	T331102A	CMS223NMI	W331104A	1	

## Accessories CMS14

Auxiliary microswitch kit E211581



Enlargement pin for auxiliary microswitch - F213629

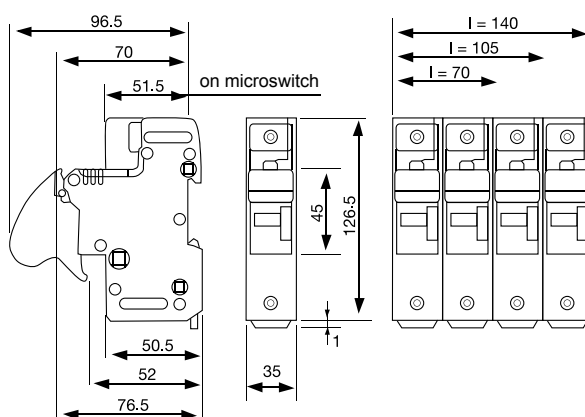


Auxiliary microswitch assembly pin - J214138



Description	Cat. number	Ref. number	Nb. modules 17.5mm	Packaging
Single-pole CMS22 auxiliary microswitch kit	CMS22W1	E211581	2	1
3-pole CMS22 auxiliary microswitch kit	CMS22W2	B331201A	6	1
3-pole CMS22 2 auxiliary microswitch kit	CMS22W3	N331189A	6	1
Auxiliary microswitch assembly pin (between 2 auxiliary microswitch kits)	CMS1422PTH	J214138		10
Enlargement pin for auxiliary microswitches	CMS14BP	F213629		10
Multi-pole assembly kit	CMS1422PAK	Z218223		10
Indicator light kit	CMS14LIH	A225653		1
Lock	CMS14LOK	M223525		1

## Drawings for CMS22



## Fuse Monitoring for DIN Rail mounting



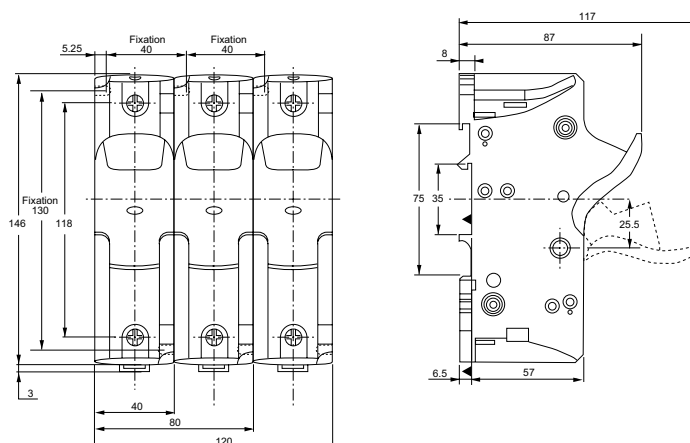
Cat. number	Ref. number	Voltage (VAC)	Mounting on	Weight (kg)	Packaging
FM100/260RD	S236824A	100...260	Rail DIN	0.19	1
FM380/690RD	T236825A	380...690	Rail DIN	0.19	1

## Modulostar CMS27



Size	CCD configurations	Cat. number w/o indicator	Ref. number	Packaging
27 x 60	1	CMS271	R210580C	3
27 x 60	1+N	CMS271N	S210581A	1
27 x 60	N	CMS27N	B210152C	3
27 x 60	2	CMS272	T210582A	1
27 x 60	3	CMS273	V210583A	1

## Drawings for CMS27 and US27



# Protistor<sup>®</sup> fuses

10x38 gR 690VAC w/o striker    A008700



Voltage rating (V)	Current (A)	Class	Cat. number	Ref. number	Packaging
690	1	gR	FR10GR69V1	L1014563J	10
690	2	gR	FR10GR69V2	Q1014567J	10
690	2.5	gR	FR10GR69V2.5	T1014570J	10
690	3	gR	FR10GR69V3	V1014571J	10
690	4	gR	FR10GR69V4	W1014572J	10
690	6	gR	FR10GR69V6	Y1014574J	10
690	8	gR	FR10GR69V8	Z1014575J	10
690	10	gR	FR10GR69V10	A1014576J	10
690	12.5	gR	FR10GR69V12.5	C1014578J	10
690	16	gR	FR10GR69V16	D1014579J	10
690	20	gR	FR10GR69V20	E1014580J	10
690	25	gR	FR10GR69V25	F1014581J	10
690	30	gR	FR10GR69V30	G1014582J	10
690	32	gR	FR10GR69V32	H1014583J	10

14x51 gR 690VAC w/o striker    A008700



Voltage rating (V)	Current (A)	Class	New* Cat. number	New* Ref. number	Old Cat. number	Old Ref. number	Packaging
690	1	gR	FR14GR69V1	X1017195J	FR14GC69V1	E221080J	10
690	2	gR	FR14GR69V2	Y1017196J	FR14GC69V2	H081473J	10
690	4	gR	FR14GR69V4	Z1017197J	FR14GC69V4	J081474J	10
690	6	gR	FR14GR69V6	A1017198J	FR14GC69V6	T220909J	10
690	8	gR	FR14GR69V8	B1017199J	FR14GC69V8	S220908J	10
690	10	gR	FR14GR69V10	C1017200J	FR14GC69V10	R220907J	10
690	12	gR	FR14GR69V12	D1017201J	FR14GC69V12	Q220906J	10
690	16	gR	FR14GR69V16	E1017202J	FR14GC69V16	P220905J	10
690	20	gR	FR14GR69V20	F1017203J	FR14GC69V20	E220735J	10
690	25	gR	FR14GR69V25	G1017204J	FR14GC69V25	N220904J	10
690	32	gR	FR14GR69V32	H1017205J	FR14GC69V32	W220819J	10
690	40	gR	FR14GR69V40	J1017206J	FR14GC69V40	M220903J	10
690	50	gR	FR14GR69V50	K1017207J	FR14GC69V50	L220902J	10
690	63	gR	FR14GR69V63	L1017208J			10

\* New offer available in 2012

# Protistor® fuses

14x51 gR 690VAC with striker    A008700



Voltage (V)	Current (A)	Class	New* Cat. Number	New* Ref. Number	Old Cat. Number	Old Ref. Number	Packaging
690	1	gR	-	-	FR14GC69V1T	F221081	10
690	2	gR	FR14GR69V2T	D1017178	FR14GC69V2T	L081476	10
690	4	gR	FR14GR69V4T	E1017179	FR14GC69V4T	F081517	10
690	6	gR	FR14GR69V6T	F1017180	FR14GC69V6T	B220939	10
690	8	gR	FR14GR69V8T	G1017181	FR14GC69V8T	A220938	10
690	10	gR	FR14GR69V10T	H1017182	FR14GC69V10T	Z220937	10
690	12	gR	FR14GR69V12T	J1017183	FR14GC69V12T	Y220936	10
690	16	gR	FR14GR69V16T	K1017184	FR14GC69V16T	X220935	10
690	20	gR	FR14GR69V20T	L1017185	FR14GC69V20T	W220934	10
690	25	gR	FR14GR69V25T	M1017186	FR14GC69V25T	V220933	10
690	32	gR	FR14GR69V32T	Q1017189	FR14GC69V32T	V220818	10
690	40	gR	FR14GR69V40T	S1017191	FR14GC69V40T	M220949	10
690	50	gR	FR14GR69V50T	T1017192	FR14GC69V50T	N220950	10
690	63	gR	FR14GR69V63	V1017193	-	-	10

\* New offer available in 2012

14x51 aR 690VAC w/o striker    A008700



Voltage (V)	Current (A)	Class	New* Cat. Number	New* Ref. Number	Old Cat. Number	Old Ref. Number	Packaging
690	6	aR	FR14UR69V6	H1027325J	FR14UC69V6	K081475	10
690	8	aR	FR14UR69V8	J1027326J	FR14UC69V8	S093902	10
690	10	aR	FR14UR69V10	K1027327J	FR14UC69V10	T093903	10
690	12	aR	FR14UR69V12	L1027328J	FR14UC69V12	V093904	10
690	16	aR	FR14UR69V16	M1027329J	FR14UC69V16	W093905	10
690	20	aR	FR14UR69V20	N1027330J	FR14UC69V20	X093906	10
690	25	aR	FR14UR69V25	P1027331J	FR14UC69V25	Y093907	10
690	32	aR	FR14UR69V32	Q1027332J	FR14UC69V32	Z093908	10
690	40	aR	FR14UR69V40	R1027333J	FR14UC69V40	A093909	10
690	50	aR	FR14UR69V50	S1027334J	FR14UC69V50	B093910	10
690	63	aR	FR14UR69V63	T1027335J	-	-	10

\* New offer available in 2012

## 22x58 gR 690VAC w/o striker



Voltage (V)	Current (A)	Class	New Cat. Number*	New Ref. Number*	Old Cat. Number	Old Ref. Number	Packaging
690	12	gR	FR22GR69V12	W1018551J	FR22GC69V12	F232719J	10
690	16	gR	FR22GR69V16	X1018552J	FR22GC69V16	G232720J	10
690	20	gR	FR22GR69V20	Y1018553J	FR22GC69V20	C220940J	10
690	25	gR	FR22GR69V25	Z1018554J	FR22GC69V25	B220916J	10
690	32	gR	FR22GR69V32	A1018555J	FR22GC69V32	A220915J	10
690	40	gR	FR22GR69V40	B1018556J	FR22GC69V40	Z220914J	10
690	50	gR	FR22GR69V50	C1018557J	FR22GC69V50	Y220913J	10
690	63	gR	FR22GR69V63	D1018558J	FR22GC69V63	X220912J	10
690	80	gR	FR22GR69V80	E1018559J	FR22GC69V80	Y220821J	10
690	100	gR	FR22GR69V100	F1018560J	FR22GC69V100	W220911J	10
690	125	gR	FR22GR69V125	G1018561J			10
690	135	gR	FR22GR69V135	H1018562J			10

\*New offer available in 2012

## 22x58 gR 690VAC with striker



Voltage (V)	Current (A)	Class	New* Cat. Number	New* Ref. Number	Old Cat. Number	Old Ref. Number	Packaging
690	12	gRC	FR22GR69V12T	W1018620J	FR22GC69V12T		10
690	16	gRC	FR22GR69V16T	X1018621J	FR22GC69V16T		10
690	20	gRC	FR22GR69V20T	Y1018622J	FR22GC69V20T	D220734J	10
690	25	gRC	FR22GR69V25T	Z1018623J	FR22GC69V25T	G220921J	10
690	32	gRC	FR22GR69V32T	A1018624J	FR22GC69V32T	F220920J	10
690	40	gRC	FR22GR69V40T	B1018625J	FR22GC69V40T	E220919J	10
690	50	gRC	FR22GR69V50T	C1018626J	FR22GC69V50T	D220918J	10
690	63	gRC	FR22GR69V63T	D1018627J	FR22GC69V63T	C220733J	10
690	80	gRC	FR22GR69V80T	E1018628J	FR22GC69V80T	X220820J	10
690	100	gRC	FR22GR69V100T	F1018629J	FR22GC69V100T	C220917J	10
690	125	gRC	FR22GR69V125T	G1018630J	FR22GC69V125T		10
690	135	gRC	FR22GR69V135T	H1018631J	FR22GC69V135T		10

\*New offer available in 2012

## 22x58 aR 690VAC w/o striker



Voltage (V)	Current (A)	Class	New* Cat. Number	New* Ref. Number	Old Cat. Number	Old Ref. Number	Packaging
690	25	aR	FR22UR69V25	Y1027316J	FR22UD69V25	K081475J	10
690	32	aR	FR22UR69V32	Z1027317J	FR22UD69V32	S093902J	10
690	40	aR	FR22UR69V40	A1027318J	FR22UD69V40	T093903J	10
690	50	aR	FR22UR69V50	B1027319J	FR22UD69V50	V093904J	10
690	63	aR	FR22UR69V63	C1027320J	FR22UD69V63	W093905J	10
690	80	aR	FR22UR69V80	D1027321J	FR22UD69V80	X093906J	10
690	100	aR	FR22UR69V100	E1027322J	FR22UD69V100	Y093907J	10
690	125	aR	FR22UR69V125	F1027323J	FR22UD69V125	Z093908J	10
690	135	aR	FR22UR69V135	G1027324J	FR22UD69V135	A093909J	10

\*New offer available in 2012

# Protistor® fuses

## 27x60 gRB 800VAC with striker



Voltage (V)	Current (A)	Class	Cat. Number	Ref. Number	Packaging
800	8	gRB	FR27GB80V8T	R221436J	10
800	10	gRB	FR27GB80V10T	S221437J	10
800	12	gRB	FR27GB80V12T	T221438J	10
800	16	gRB	FR27GB80V16T	V221439J	10
800	20	gRB	FR27GB80V20T	W221440J	10
800	25	gRB	FR27GB80V25T	X221441J	10
800	32	gRB	FR27GB80V32T	Y221442J	10
800	40	gRB	FR27GB80V40T	Z221443J	10
800	50	gRB	FR27GB80V50T	A221444J	10
800	63	gRB	FR27GB80V63T	B221445J	10
800	80	gRB	FR27GB80V80T	C221446J	10
800	100	gRB	FR27GB80V100T	D221447J	10

## 27x60 URQ 690VAC with striker



Voltage (V)	Current (A)	Class	Cat. Number	Ref. Number	Packaging
690	50	URQ	FR27UQ69V50T	N075958J	10
690	63	URQ	FR27UQ69V63T	V076309J	10
690	80	URQ	FR27UQ69V80T	W076310J	10
690	100	URQ	FR27UQ69V100T	R078330J	10
690	125	URQ	FR27UQ69V125T	S078331J	10
690	160	URQ	FR27UQ69V160T	X076311J	10
690	200	URQ	FR27UQ69V200T	T078332J	10
690	250	URQ	FR27UQ69V250T	T076308J	10

## 20x127 URQ 2000VDC with striker



Voltage (V)	Current (A)	Class	Cat. Number	Ref. Number	Packaging
1000	6	gRB	FD20GB100V6T	Z088020J	10
1000	8	gRB	FD20GB100V8T	T088774J	10
1000	10	gRB	FD20GB100V10T	A089493J	10
1000	12	gRB	FD20GB100V12T	B089494J	10
1000	16	gRB	FD20GB100V16T	C089495J	10
1000	20	gRB	FD20GB100V20T	D089496J	10
1000	25	gRB	FD20GB100V25T	E089497J	10
1000	32	gRB	FD20GB100V32T	F089498J	10
1000	40	URQ	FD20GC100V40T	S086795J	10
1000	50	gRC	FD20GC100V50T	F086186J	10
1000	63	gRC	FD20GC100V63T	F083656J	10